

BOJIN – MEDICAL

Shanghai Food And Drug Administration Character 2012 No.2100593

Shanghai Food And Drug Administration Character 2012 No.1100477

Shanghai Food And Drug Administration Character 2012 No.1100553

Shanghai Food And Drug Administration Character 2012 No.2100966

The picture is for reference only, any changes are subject to final products.

Any changes and discrepancies present on product's configurations, pictures, technical data caused by technology upgrading, customer requests are subject to final products without prior notice.

We accept no responsibility for any inaccuracies brought by the changes of configuration.



BOJIN MEDICAL

Product Brochure - Orthopaedics

80 Countries and Counting - Bojin



[Http://www.bojin-medical.com](http://www.bojin-medical.com)



Introduction

Shanghai Bojin Electric Instrument & Device Co., Ltd is a scientific research enterprise that has strong product development and production capabilities. The company was established in 1993 by Mr. Wang Xijiong and mainly develops, manufactures, and sells medical devices and equipment. We specialize in orthopaedic surgical products and have predominantly designed and produced medical electric drills, portable x-ray fluoroscopy device and fracture therapeutic equipment. Bojin has a dedicated global sales team supported by customer focused service and management departments. Bojin adheres to the principle of "quality and innovation." Customers all over the world appreciate our products and the dedication we have to surgical practice and best clinical outcomes. Bojin strives to improve technological advancements to streamline production and manufacturing process as well as develop new products to better serve our customers.



Certification "3C"

Certification ISO9001

Certification ISO13485

Certification "CE"

FDA 3008787426

COMPANY PROFILE

Bojin is a leading manufacturer and supplier of medical devices globally and employs a growing number of over 200 highly skilled staff professionals. The business is predominately focused on the orthopaedic medical device sector and has achieved market acceptance in many countries across the globe. The business plan for the company is to expand operations and product placement of Bojin's precision device technologies throughout the world.

Bojin is committed to the design, development and manufacture of innovative medical solutions that benefit the healthcare industry for best surgical outcomes. Customer, product support and service, education, dedication, passion, supply chain solutions and innovation thinking are the driving forces of Bojin's company vision. We believe that this ethos will add value and benefit our customers becoming a natural selection to health care communities in their decision-making processes.

Bojin is the owner and licensee of some of the most innovation design features that the surgical power tool and accessories industry has seen for decades. Bojin's compliment of patented technology includes cutting tools and accessories that our competitors are unable to compete with, we believe that Bojin holds the future for surgical power tools and accessory technology that will revolutionize and surpass current technology and supply chain solutions.

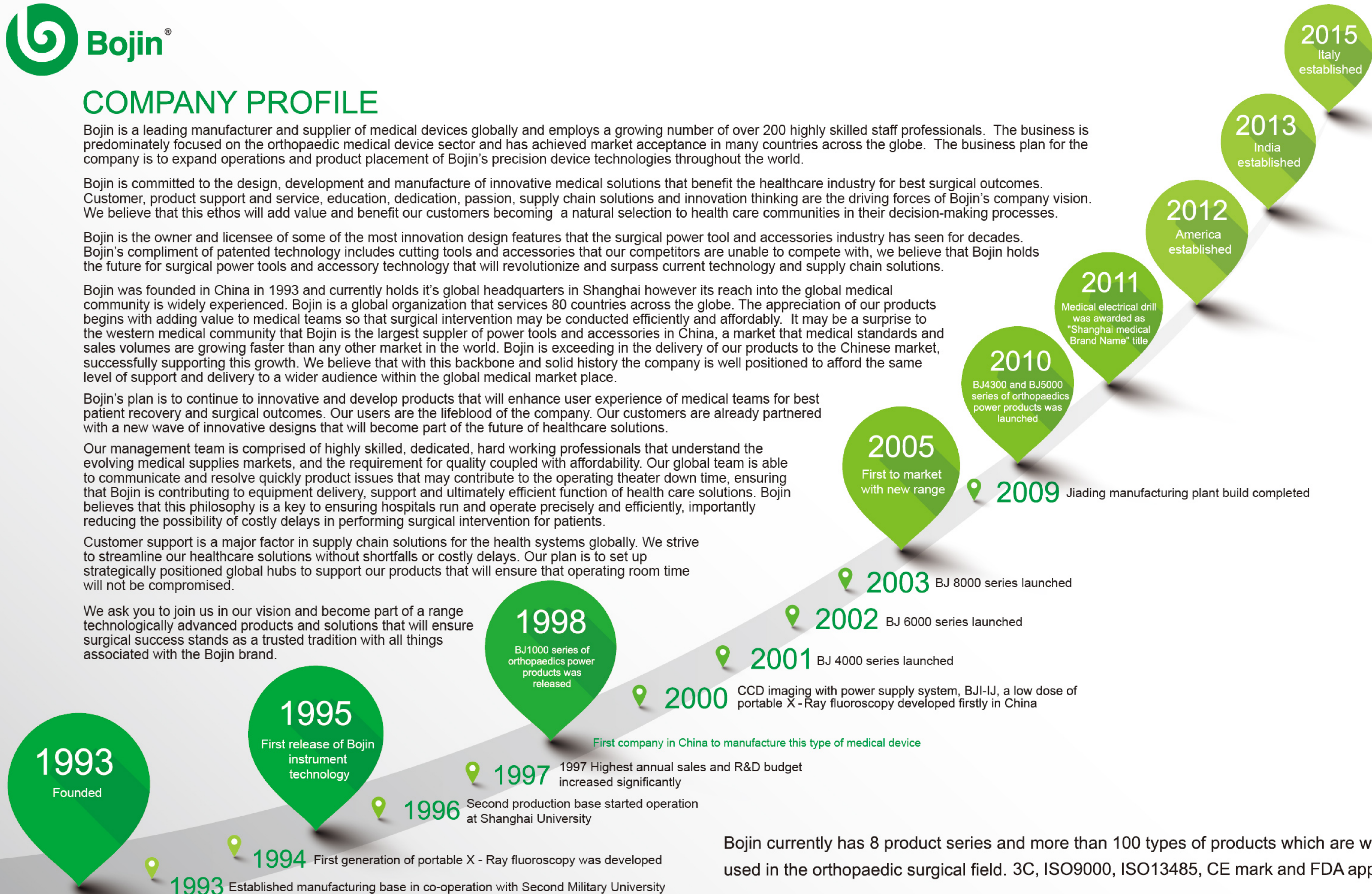
Bojin was founded in China in 1993 and currently holds it's global headquarters in Shanghai however its reach into the global medical community is widely experienced. Bojin is a global organization that services 80 countries across the globe. The appreciation of our products begins with adding value to medical teams so that surgical intervention may be conducted efficiently and affordably. It may be a surprise to the western medical community that Bojin is the largest supplier of power tools and accessories in China, a market that medical standards and sales volumes are growing faster than any other market in the world. Bojin is exceeding in the delivery of our products to the Chinese market, successfully supporting this growth. We believe that with this backbone and solid history the company is well positioned to afford the same level of support and delivery to a wider audience within the global medical market place.

Bojin's plan is to continue to innovative and develop products that will enhance user experience of medical teams for best patient recovery and surgical outcomes. Our users are the lifeblood of the company. Our customers are already partnered with a new wave of innovative designs that will become part of the future of healthcare solutions.

Our management team is comprised of highly skilled, dedicated, hard working professionals that understand the evolving medical supplies markets, and the requirement for quality coupled with affordability. Our global team is able to communicate and resolve quickly product issues that may contribute to the operating theater down time, ensuring that Bojin is contributing to equipment delivery, support and ultimately efficient function of health care solutions. Bojin believes that this philosophy is a key to ensuring hospitals run and operate precisely and efficiently, importantly reducing the possibility of costly delays in performing surgical intervention for patients.

Customer support is a major factor in supply chain solutions for the health systems globally. We strive to streamline our healthcare solutions without shortfalls or costly delays. Our plan is to set up strategically positioned global hubs to support our products that will ensure that operating room time will not be compromised.

We ask you to join us in our vision and become part of a range technologically advanced products and solutions that will ensure surgical success stands as a trusted tradition with all things associated with the Bojin brand.



Bojin currently has 8 product series and more than 100 types of products which are widely used in the orthopaedic surgical field. 3C, ISO9000, ISO13485, CE mark and FDA approval.

SYSTEM 4300

- Separate battery
- Light weight hand piece
- 20% higher torque than BJ4100 system
- Single - function 155°C autoclavable

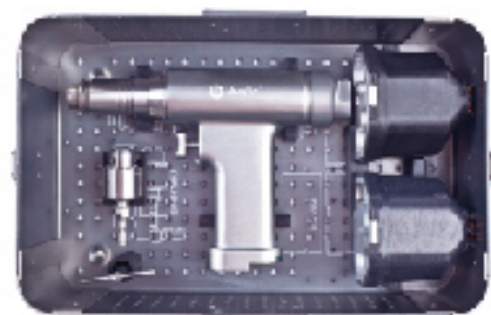


Power Tools

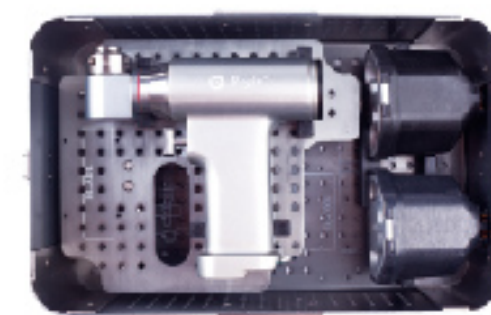
BJJ-1	BJ4301	Sagittal saw
BJZ-1	BJ4302	Bone drill
BJZ-1	BJ4303B	Dual - function cannulated drill
BJZ-1	BJ4307B	Acetabulum reaming drill
BJZ-1	BJ4309	Reciprocating saw

Main Accessories

BJ43001	Battery
BJ43002	Charger
BJ43003	Battery sterilization container
BJ43004	Aseptic transfer kit
BJ43005	Key
BJ43002-4B	Multi - function charger



Double - layer sterile case



Double - layer sterile case



BJ43001
Battery



BJ43002
Charger



BJ43003
Battery sterilization
container



BJ43004
Aseptic
transfer kit



BJ43005
Key



BJ43002-4B
Multi - function
charger



SYSTEM 4200

- Quick cup - link attachment devices
- 360° rotating
- High strength stainless steel componentry
- High precision, low noise
- 155°C Autoclavable

Power Tools

BJJZ-1	BJ4200	Multi - function handpiece
BJJZ-1	BJ4201	Sagittal saw
BJJZ-1	BJ4202	Bone drill
BJJZ-1	BJ4202SAO	AO drill
BJJZ-1	BJ4203B	Cannulated drill attachment
BJJZ-1	BJ4203D	Cannulated drill attachment
BJJZ-1	BJ4207B	Acetabulum reaming drill
BJJZ-1	BJ4207D	Acetabulum reaming drill
BJJZ-1	BJ4213A	φ0.8 - 2.0 k - wire drill attachment
BJJZ-1	BJ4213B	φ2.0 - 3.0 k - wire drill attachment

Main Accessories

BJ4001	Battery
BJ1002	Charger
BJ4003	Hand piece cover
BJ4004	Aseptic transfer kit
BJ1005	Key



BJ4001
Battery



BJ1002
Charger



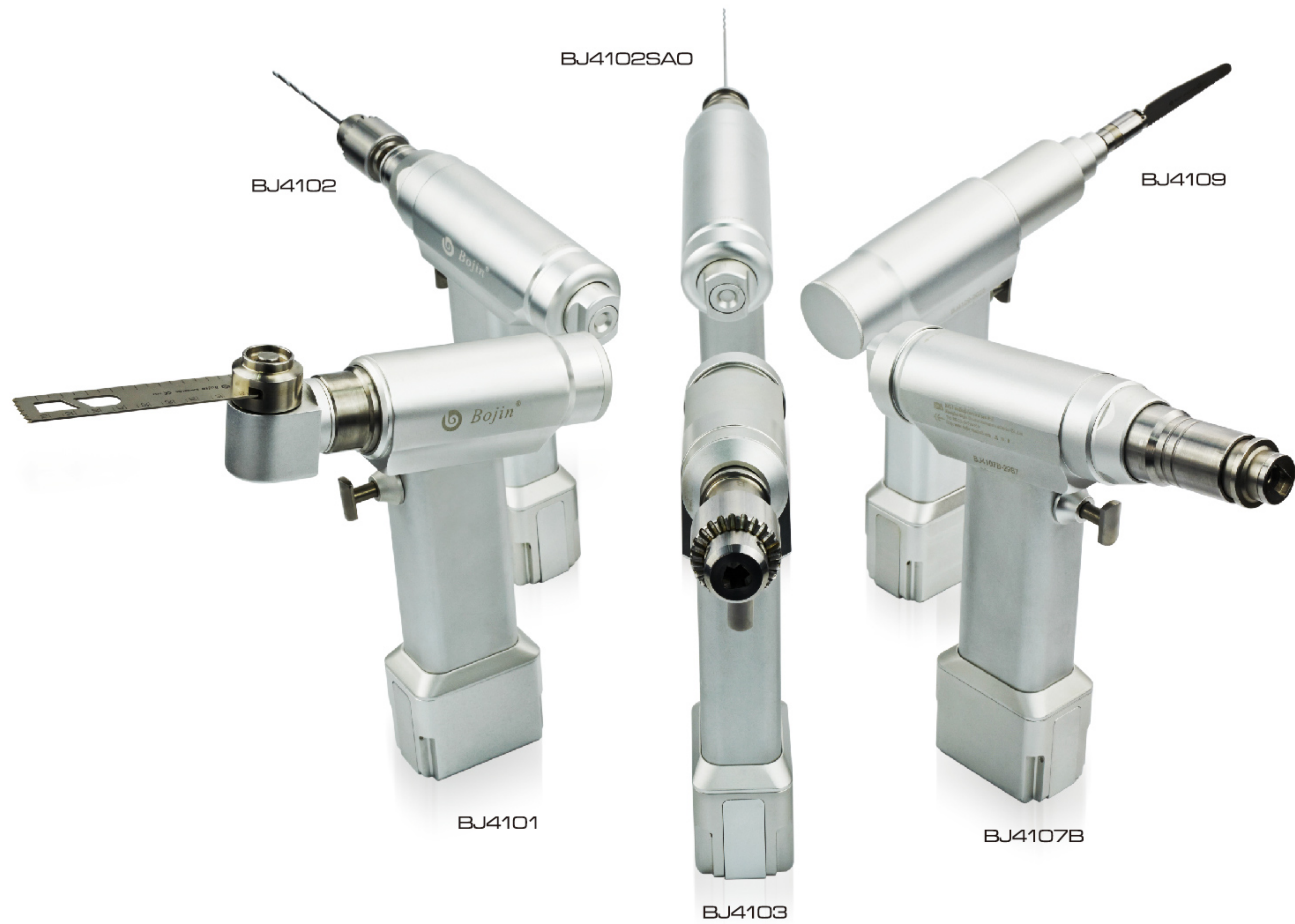
BJ4003
Cover



BJ4004
Aseptic
transfer kit



BJ1005
Key



SYSTEM 4100

- Ergonomic design
- Imported German motor
- Strong stable output
- High strength stainless steel componentry
- High precision, low noise
- 155°C Autoclavable

Power Tools

BJJ-1	BJ4101	Sagittal saw
BJZ-1	BJ4102	Bone drill
BJZ-1	BJ4102A	Dual - function bone drill
BJZ-1	BJ4102SAO	AO drill
BJZ-1	BJ4103	Cannulated drill
BJZ-1	BJ4103B	Dual - function cannulated drill
BJZ-1	BJ4103D	Dual - function cannulated drill
BJZ-1	BJ4107	Acetabulum reaming drill
BJZ-1	BJ4107B	Dual - function acetabulum reaming drill
BJZ-1	BJ4107D	Dual - function acetabulum reaming drill
BJJ-1	BJ4109	Reciprocating saw

Main Accessories

BJ4001	Battery
BJ1002	Charger
BJ4003	Hand piece cover
BJ4004	Aseptic transfer kit
BJ1005	Key



SYSTEM 2000

- Handpiece compatible with attachments
- Quick cup - link attachment system
- 360° rotating
- High strength stainless steel componentry
- 135°C Autoclavable



Power Tools

BJJZ-1	BJ2100	Multi - function handpiece
BJJZ-1	BJ2101	Sagittal saw
BJJZ-1	BJ2101s	Stryker sagittal saw
BJJZ-1	BJ2102	Bone drill
BJJZ-1	BJ2102SAO	AO bone drill
BJJZ-1	BJ2103	Cannulated drill
BJJZ-1	BJ2103B	Cannulated drill
BJJZ-1	BJ2103D	Cannulated drill
BJJZ-1	BJ2104	Cranial drill
BJJZ-1	BJ2105	Cranial bur
BJJZ-1	BJ2106	Sternum saw
BJJZ-1	BJ2107	Acetabulum reaming drill
BJJZ-1	BJ2107B	Acetabulum reaming drill
BJJZ-1	BJ2107D	Acetabulum reaming drill
BJJZ-1	BJ2109	Reciprocating saw
BJJZ-1	BJ2110	Torque limiter attachment (1.5Nm)
BJJZ-1	BJ2111	Torque limiter attachment (4Nm)
BJJZ-1	BJ2112	TPLO attachment

Main Accessories

BJ1001	Battery
BJ1002	Charger
BJ2003	Hand piece cover
BJ1004	Aseptic transfer kit
BJ1005	Key



SYSTEM 1000

- Portable, lightweight and durable
- Variable speed control
- High precision, low - noise
- Imported German motor
- 135°C Autoclavable



Power Tools





BJJ-1	BJ1101	Sagittal saw
BJZ-1	BJ1102	Bone drill
BJZ-1	BJ1102SAO	Dual - function bone drill
BJZ-1	BJ1103	Cannulated drill
BJZ-1	BJ1103B	Dual - function cannulated drill
BJZ-1	BJ1103D	Dual - function cannulated drill
BJJ-1	BJ1107	Acetabulum reaming drill
BJZ-1	BJ1107B	Acetabulum reaming drill
BJZ-1	BJ1107D	Acetabulum reaming drill
BJZ-1	BJ1109	Reciprocating saw
BJZ-1	BJ1302	Base model bone drill
BJZ-1	BJ1201	Medical electric plaster cutting saw
BJZ-1	BJ1201S	Medical electric plaster cutting saw

Main Accessories

BJ1001	Battery
BJ1002	Charger
BJ1003	Hand piece cover
BJ1004	Aseptic transfer kit
BJ1005	Key
BJ1002-4	Multi - function charger



Medical Electric Plaster Cutting Saw

BJ1201S		110V, 220V
BJ1201		
BJ12011		Flat wrench
saw blade		

SYSTEM 1400

- Portable, lightweight and durable
- Variable speed control
- High precision, low - noise
- Imported German motor
- 135°C Autoclavable



Power Tools

BJJ-1	BJ1401	Sagittal saw
BJZ-1	BJ1402	Bone drill
BJZ-1	BJ1403B	Dual - function cannulated drill
BJZ-1	BJ1403D	Dual - function cannulated drill
BJZ-1	BJ1407B	Acetabulum reaming drill
BJZ-1	BJ1407D	Acetabulum reaming drill

Main Accessories

BJ14001	Battery
BJ14002	Charger
BJ14004	Aseptic transfer kit
BJ1005	Key



BJ14001
Battery



BJ14002
Charger



BJ14004
Aseptic
transfer kit



BJ1005
Key

SYSTEM 6000

- Excellent torque for prosthesis replacement surgery
- Imported Germany motor delivers speed and power
- Extended capacity battery
- High strength stainless steel componentry
- Optional external power supply system
- Multi - function: 155°C autoclavable, single - function 135°C antoclavable
- Single and multi - function mode



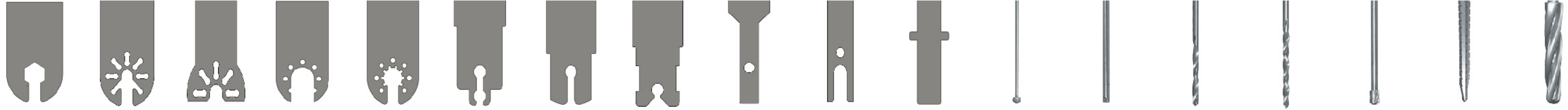
Power Tools

BJJ-1	BJ6101	Sagittal saw
BJZ-1	BJ6103B	Dual - function cannulated drill
BJZ-1	BJ6103D	Dual - function cannulated drill
BJZ-1	BJ6107B	Dual - function acetabulum teaming drill
BJZ-1	BJ6107D	Dual - function acetabulum teaming drill
BJJZ-1	BJ6200	Multi - function handpiece
BJJZ-1	BJ6201	Sagittal saw
BJJZ-1	BJ6203	Cannulated drill attachment
BJJZ-1	BJ6207B	Acetabulum reaming drill
BJJZ-1	BJ6207D	Acetabulum reaming drill

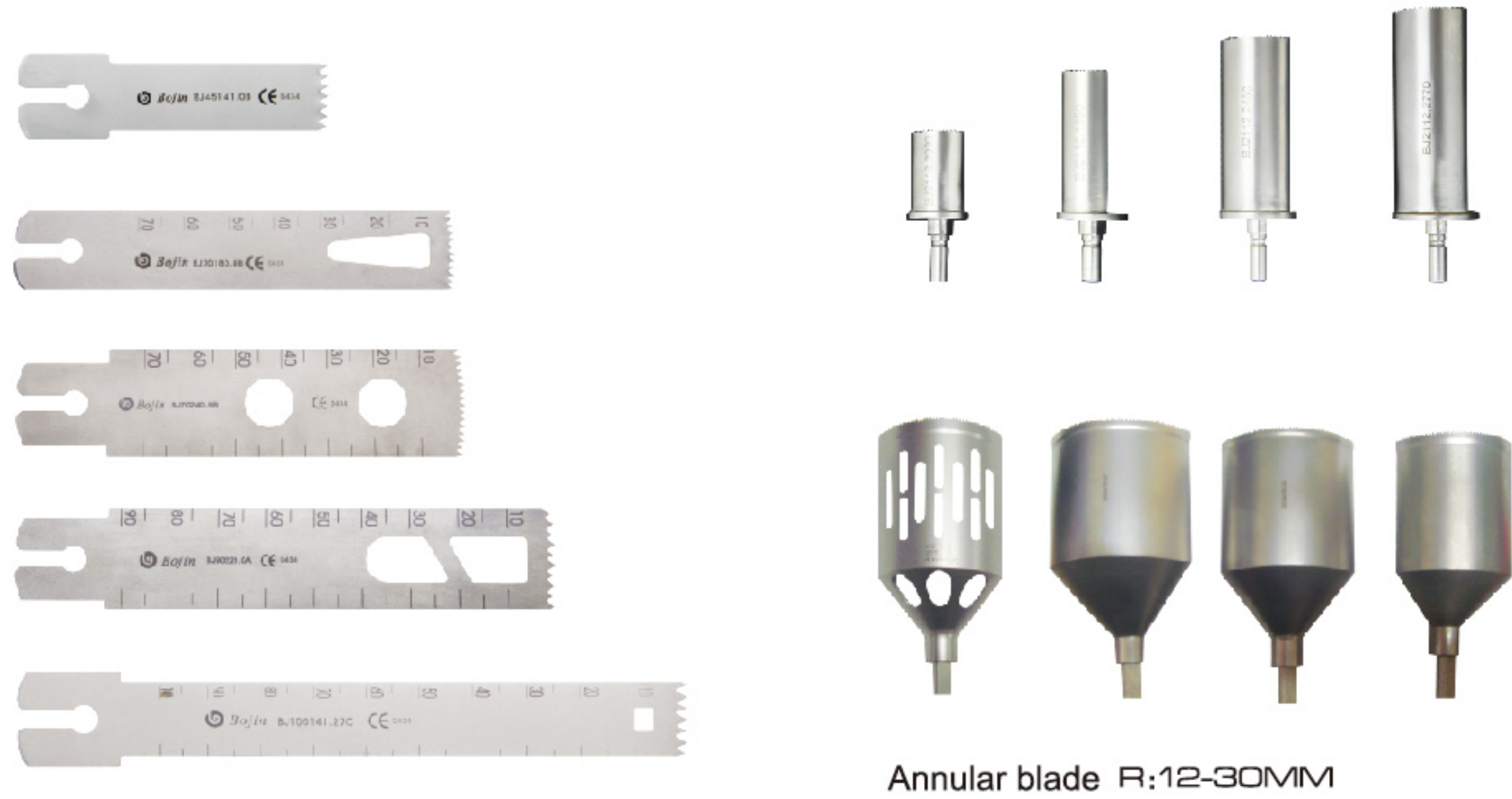
Main Accessories

BJ6001	Battery
BJ6004-1	Aseptic transfer kit
BJ6004-2	Aseptic transfer kit
BJ1002	Charger
BJ1005	Key
BJ6006	Power console
BJ6007	Connection wire
BJ6008	Power coupling
BJ6009	Hand piece cover





- High strength stainless steel ensuring intraoperative safety
- Blade thickness to match commonly used knee prosthesis
- Specific design saw tooth, low contact to achieve accurate and precise osteotomy



- A zigzag – type applies to joint replacement surgery



- B – type osteotomy saw the application of general surgery

L (mm)	35	37	41/45
W (mm)	9.5	8	9.5/10/14
T (mm)	0.5	0.8	0.5/1.0

L (mm)	50/55/60	70/80	90
W (mm)	10/13.5/16/20	13/14/20/21/22/24/34	13/14/18/19/22/24/25
T (mm)	0.5/0.8/1.0	0.8/1.0/1.2/1.27	0.8/1.0/1.2/1.27

L (mm)	100	110	115
W (mm)	24/25	24	18/22
T (mm)	1.2/1.27	1.2/1.27	1.2/1.27

BOJIN cutting tool applications

Orthopaedic / Trauma

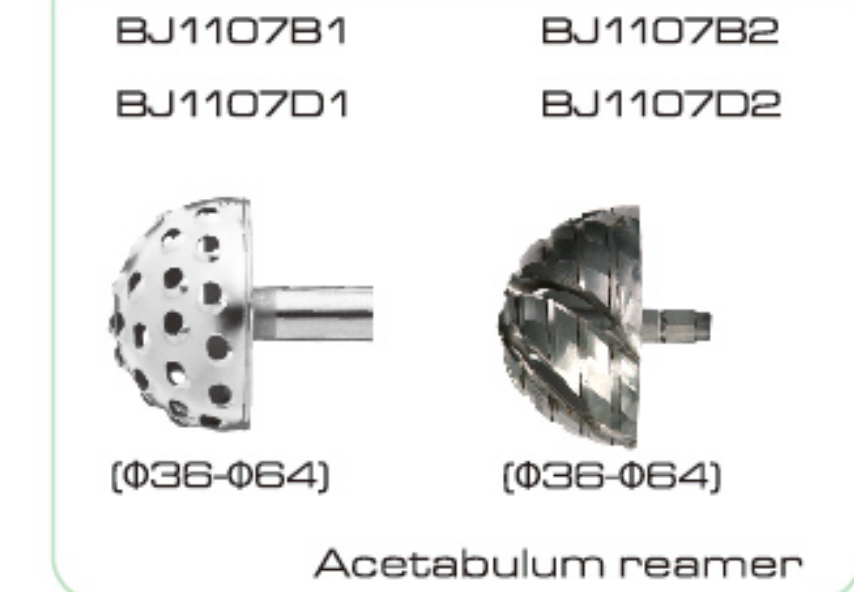
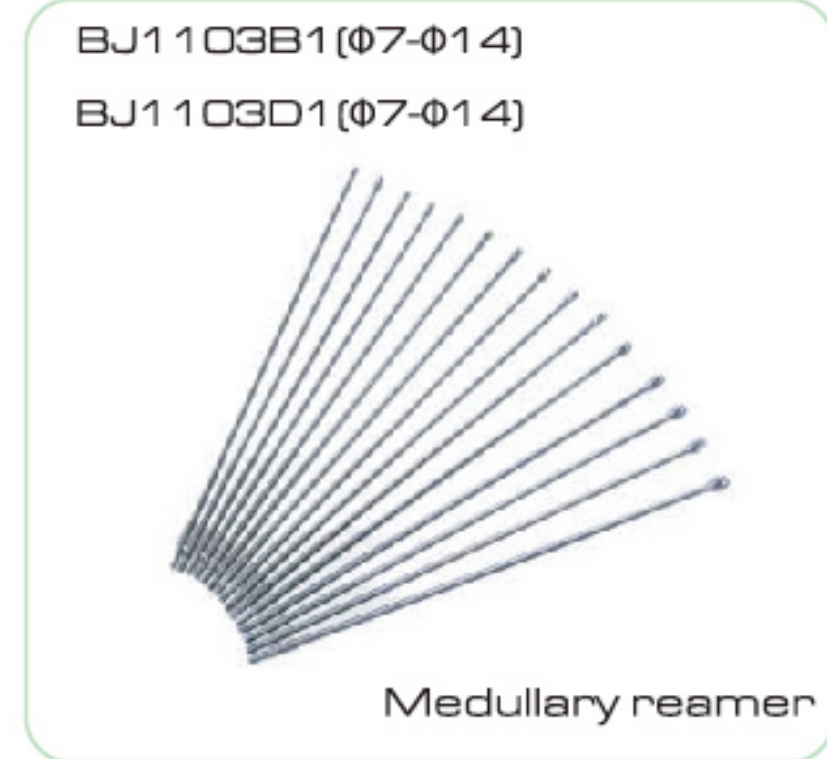
- Osteotomy saw blade
- Knee joint saw blades
- Twist drill bit
- Medullary reamer
- Acetabulum reamer

Spine Surgery / Neurosurgery

- Cutting drill bit
- Diamond drill bit
- Cranial milling

Maxillofacial Surgery

- Cutting drill bit
- Diamond drill bit
- Micro saw blades



- High gain, high sensitivity, and high resolution image intensifier
- Safe operation any time without the darkroom protection
- Low radiation dose
- Compatible with monitor and computer



BJI-1J2



▪ BJI-1J compatible with computer, save image and video separately.



BJI-001 Battery



▪ Trolley

Portable lightweight for multiple applications:

- Fracture
- Womens health
- Veterinary
- Work place
- Industrial crack detection
- Scientific research

Field of vision	Φ 50-100mm
Screen brightness	> 20cd/m ²
Leaking ray	<2.58X10 ⁻⁵ C>Kg ⁻¹ H ⁻¹
Scattered ray	<1.29X10 ⁻⁵ C>Kg ⁻¹ H ⁻¹
Power supply	AC110 250 50HZ or 12V
Imaging resolution	50 LP/cm
Contrast	<4%
Grey scales	7

Type	Maxi objective thickness	Current	Tube voltage	Power consumption
BJI-1Z	180 mm	0.1mA	55 KV	35 VA
BJI-1Y	200 mm	0.05mA	60 KV	40 VA
BJI-1X	280 mm	0.2mA	65 KV	45 VA
BJI-1W	240 mm	0.05mA	65 KV	40 VA
BJI-1V	280 mm	0.5mA	80 KV	55 VA
BJI-1P	140 mm	0.05mA	60 KV	50 VA
BJI-1J	300 mm	0.5mA	80 KV	70 VA
BJI-1J2	300 mm	0.5mA	80 KV	70 VA



BJI-1J



BJI-1P



BJI-1V

BJK Fracture Therapeutic Instrument



BJK-2 Multi - style function

- Splint plaster fixing or external fixation
- Automatically adjust electromagnetic field
- Alternating electromagnetic field frequency and intensity
- Advanced focal electromagnetic design
- Digital control safe and reliable

Applications:

- Treatment of inflammatory disease
- Fracture treatment
- Increase blood circulation
- Accelerate bone healing